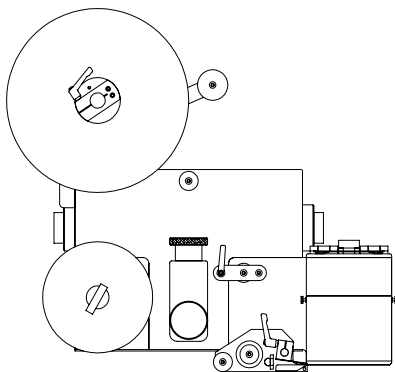


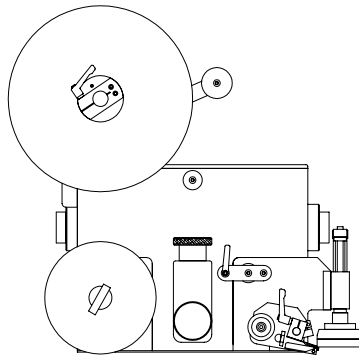
Applicator Hand

Right Hand

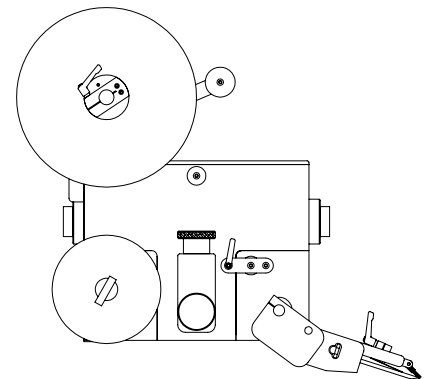
→
Flow Direction



Blow-On



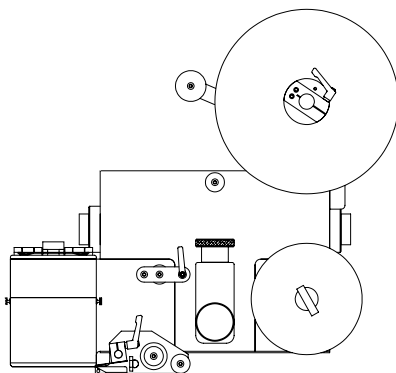
Tamp-On



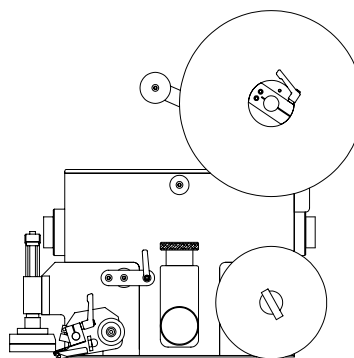
Wipe-On

Left Hand

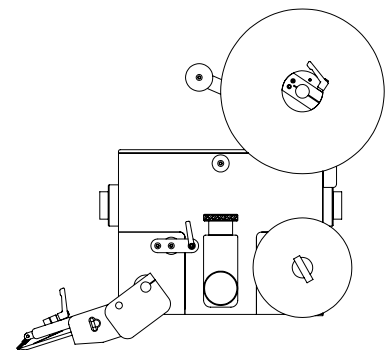
←
Flow Direction



Blow-On



Tamp-On



Wipe-On

Setting Global Standards
One Customer at a Time